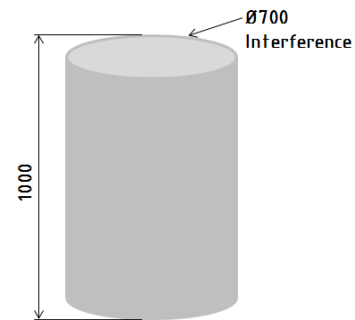
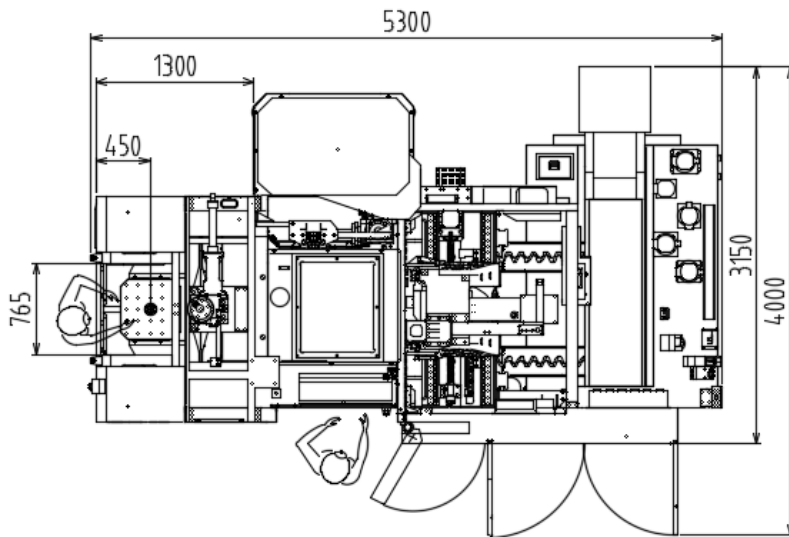


- > 60 m/min Linear Axis Speed
- > Versatile Direct Drive Spindle 12,000 RPM Standard or 15,000 RPM Option
- > High Pressure Coolant Thru Spindle Ready
- > Large Tool Capability - Ø 190 mm Diameter, 550 mm Length, 12 kg Mass
- > Infinite Contouring Table - Full 4<sup>th</sup> Axis
- > 480 V Connection Ready Without Transformer
- > North American Controls Design and Safety Standards
- > Assembled in USA - Local Product Expertise and Build
- > Ethernet Port Included For Gaging or Automation



Work Piece and Fixture Envelope

Consult AFFCO Machine Sales, Inc. for a Complete Option List

Due to continual improvements, specifications may change without notice.

All pictures shown are for illustration purposes only. Actual machines may vary in detail from pictures shown.

©2018 MAG Automotive, LLC - AFFCO MMH 500 Pallet Changer 8Jun2018.docx

## MMH 500 - Pallet Changer - B-Axis

			Ball Screw Drive (English)		Ball Screw Drive (Metric)
Work Area	X-axis	in	30	mm	762
	Y-axis	in	28	mm	710
	Z-axis	in	31.5	mm	800
	Work piece max. swing diameter	in	Ø 27.5	mm	Ø 700
	Work piece max. load	lb	1323	kg	600
	Work piece max. height	in	39.4	mm	1,000
	Table surface to floor	in	41.3	mm	1050
Axis Speed	X-, Y-, Z-axis	in/min	2,362	m/min	60
Axis Acceleration	X-, Y-, Z-axis max.	in/s <sup>2</sup>	19.7	m/s <sup>2</sup>	0.5
Positioning (VDI / DGQ 3441)	Position accuracy / w/Absolute scale	in	0.0004 / 0.0004	mm	0.010 / 0.010
	Position repeatability / w/Absolute scale	in	0.00024 / 0.00020	mm	0.006 / 0.005
Direct Drive Spindle	Tool taper	type	CAT40	type	CAT40
	Speed max.	RPM	12,000 / 15,000	RPM	12,000 / 15,000
	Power max. (15 min rating)	HP	29.5	Kw	22
	Torque max. (15 min rating)	ft lbs	111	Nm	150
B-Axis (NC-Table) (VDI / DGQ 3441)	Position accuracy / w/Absolute scale	arc s	±7.5 / ±5.0	arc s	±7.5 / ±5.0
	Index B-axis min.	deg	360 x 0.001°	deg	360 x 0.001°
	Rotary speed (B-axis)	RPM	22	RPM	22
Tool Magazine	CAT40	no.	Chain 40 / 60	no.	Chain 40 / 60
	Tool length max.	in	21.6	mm	550
	Tool-Ø without empty positions max.	in	3.7	mm	95
	Tool-Ø with empty positions max.	in	7.5	mm	190
	Tool weight max.	lb	26.5	kg	12
	Tool-to-tool time	s	1.3	s	1.3
Pallet Changer	Pallet change time	s	8	s	8
	Pallet size	in	19.7 x 19.7	mm	500 x 500
Machine Dimensions (Doors closed)	Machine width	in	124	mm	3,150
	Machine length	in	209	mm	5,300
	Machine height	in	110	mm	2,800
	Total weight	lb	37,479	kg	17,000
Electrical System CNC Control: Fanuc 31iB	Connection load (average base machine)	KVA	60	KVA	60



AFFCO Machine Sales, Inc  
510 Enterprise Drive  
Westfield, IN 46074 USA

tel +1 317 867 1200  
fax +1 317 867 2300  
www.sales@affcomachine sales.com

Consult AFFCO Machine Sales, Inc. for a Complete Option List

Due to continual improvements, specifications may change without notice.

All pictures shown are for illustration purposes only. Actual machines may vary in detail from pictures shown.

©2018 MAG Automotive, LLC - AFFCO MMH 500 Pallet Changer 8Jun2018.docx